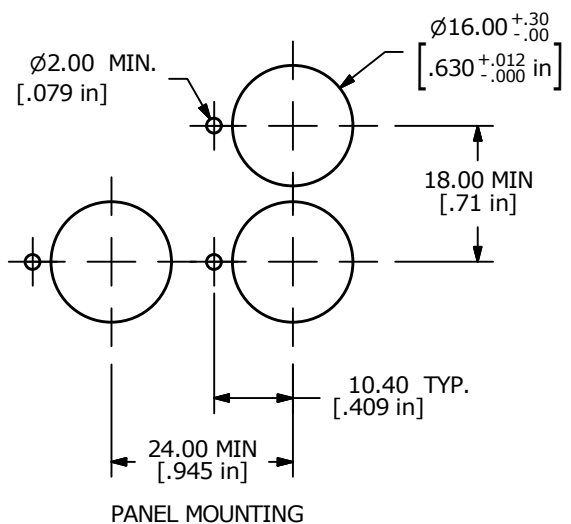
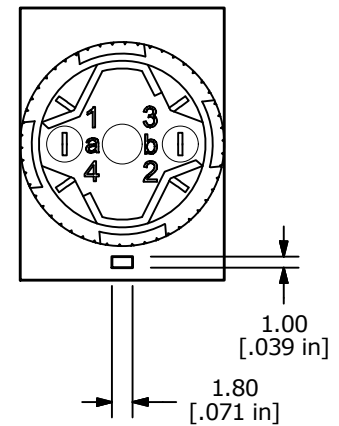
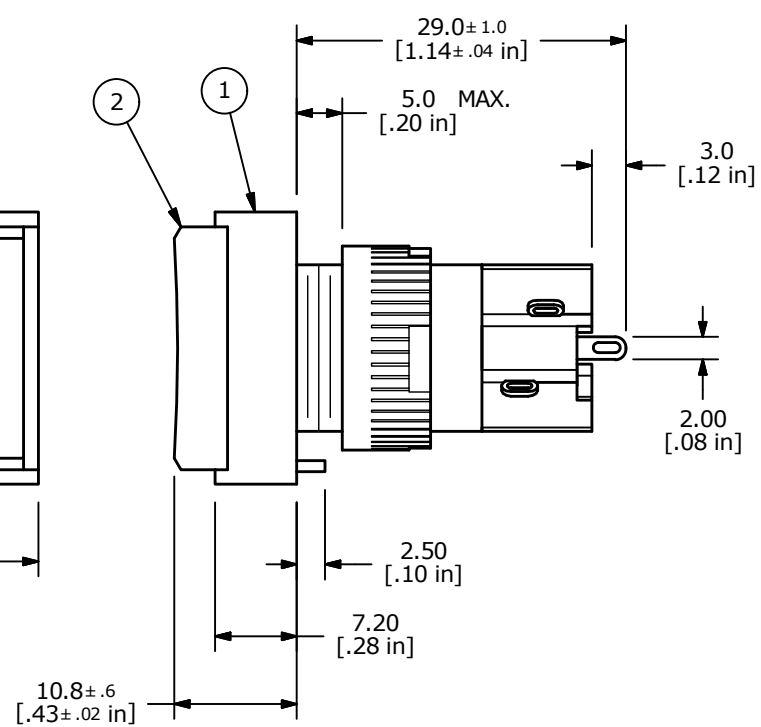
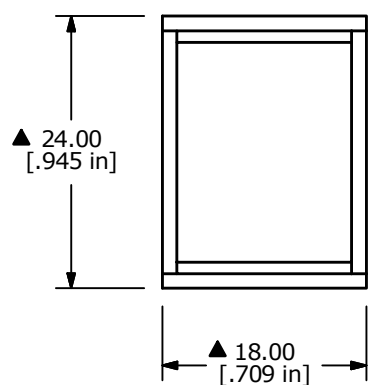
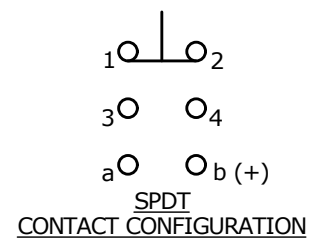


PARTS LIST			
ITEM	QTY	PART NUMBER	DESCRIPTION
1	1	F040004	D16EET11 HOUSING
2	1	F050205	50-002-05 ACTUATOR-WHITE TRANSPARENT RECTANGULAR CONCAVED
3	-	-	NO LAMP



PANEL MOUNTING



- NOTE:
1. ALL DIMENSIONS IN MM [INCH]
 2. GENERAL TOLERANCE: X.X = ±0.4
X.XX = ±0.25
 3. TERMINAL NUMBERS FOR REF ONLY
 4. ELECTRICAL LIFE: 50,000 OPERATIONS
 5. INSULATION RESISTANCE: 1,000 MΩ MIN.
 6. OPERATING TEMP.: -25°C to 70°C (No Lamp)
 - ▲ 7. LAMP VOLTAGE: NO LAMP
 8. ▲ DENOTES CRITICAL PARAMETER.
 9. RATING: 5A @ 250 VAC, 8A @ 125VAC
6A @ 24 VDC
 10. SEAL RATING: IP40



A	24006	RELEASE FOR PRODUCTION	8/19/19	MW
REV	PCR NO	DESCRIPTION	DATE	BY

TITLE D16EET110WHT				
SCALE 3:2	DATE 8/19/2019	DR MW	DWG XF0923P	REV A

THE INFORMATION CONTAINED IN THIS DOCUMENT IS PROPRIETARY TO E-SWITCH AND IS NOT TO BE COPIED OR TRANSFERRED